

Applic. No. 09/848,583  
Reply to Office Action dated 01/28/2008  
Amendment dated 04/28/2008  
ReplacemSheet

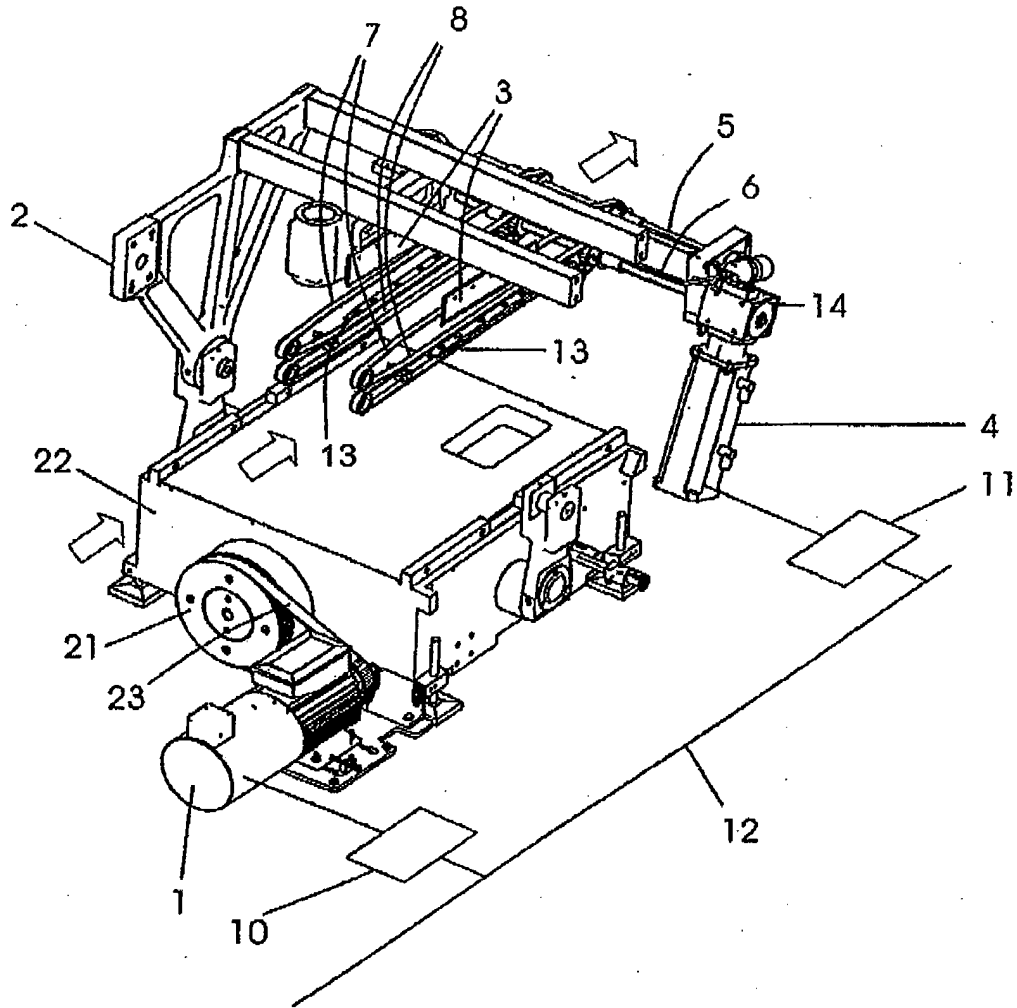


Fig.2